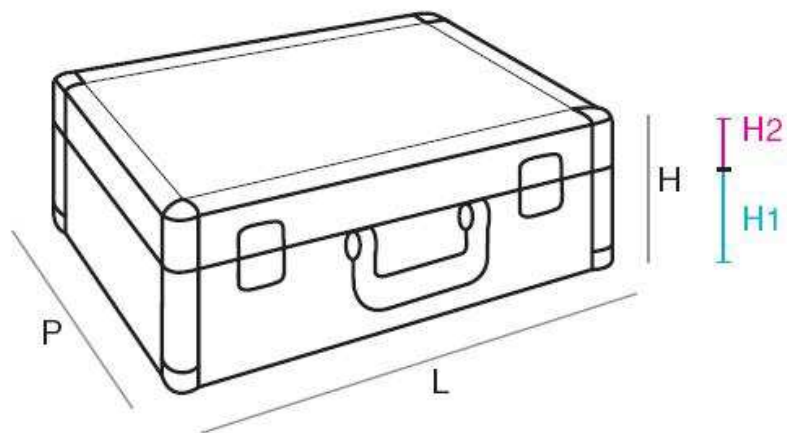


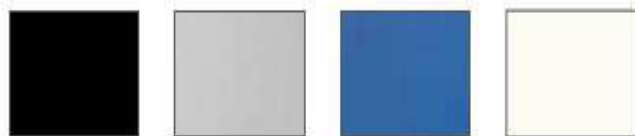
VALIGIE HPL • ART. 195/2/HPL



	L	P	H	H1	H2
external	380	260	165	-	-
internal	360	235	-	90	45

LAMINATE

COLORS



WEIGHT

art. 195/2/HPL = 3,5 kg • art. 195/2/HPL/D = 2,0 kg • art. 195/2/HPL/S = 2,0 kg • art. 195/2/HPL/S1 = 2,0 kg