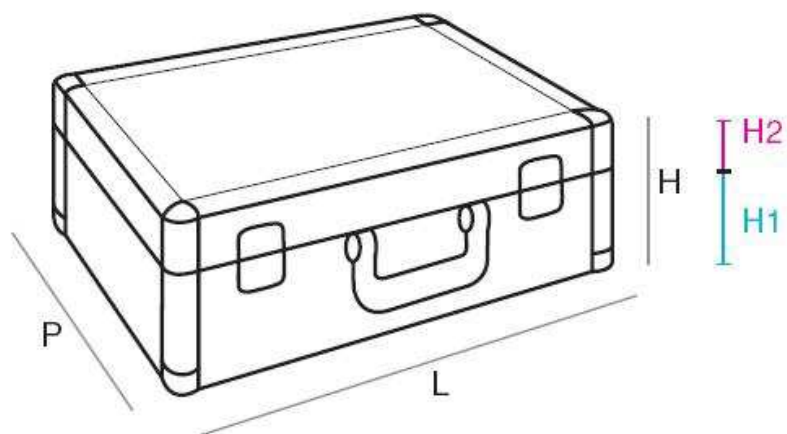


# VALIGIE HPL · ART. CAL/960/U



	L	P	H	H1	H2
external	870	360	250	-	-
internal	850	340	-	115	115

## LAMINATE

---

## COLORS



## WEIGHT

---

art. CAL/960/U = 10,0 kg