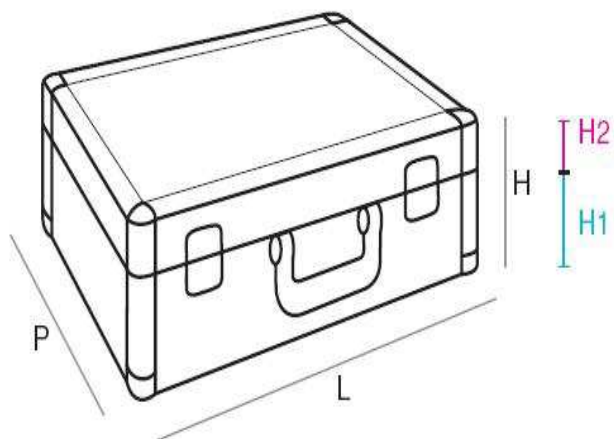


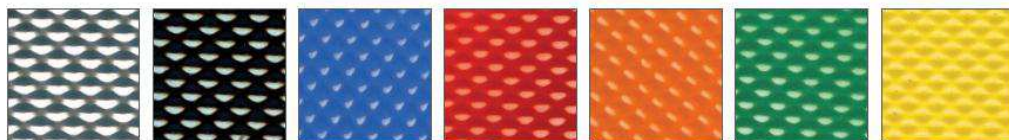
VALIGIE STARC · ART. SWL/330



| | L | P | H | H1 | H2 |
|----------|-----|-----|-----|-----|----|
| external | 330 | 230 | 160 | - | - |
| internal | 310 | 215 | - | 105 | 30 |

EMBOSSED ALUMINIUM

COLORS



SMOOTH FINISH ALUMINIUM

COLORS



WEIGHT

art. **SWL/330** = 2,5 kg