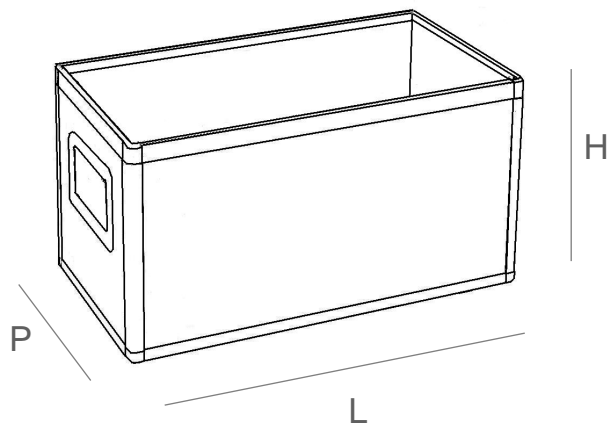


BAULETTI HPL · ART. F/50/L - F/50



	L	P	H
external	510	280	260
internal	485	250	250

LAMINATE

COLORS



WEIGHT

art. **F/50/L** = 4,9 kg · art. **F/50** = 4,9 kg