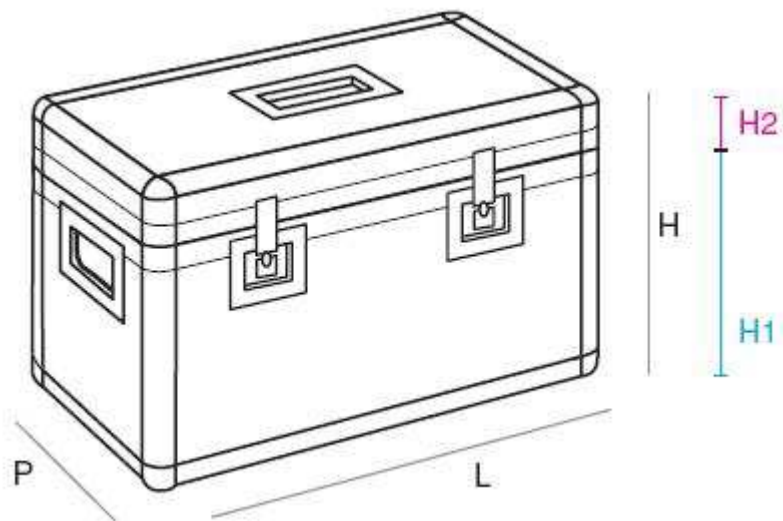


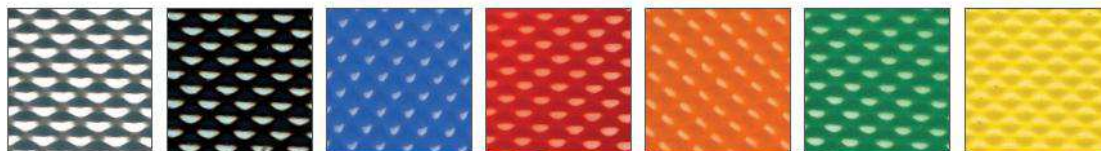
BAULI IN ALLUMINIO · ART. GRINTA/105 – GRINTA/105/R



art. GRINTA/105 GRINTA/105/R	L	P	H	H1	H2
external	1050	250	390	-	-
internal	1030	225	-	315	45

EMBOSSED ALUMINIUM

COLORS



WEIGHT

art. **GRINTA/105** = 11,0 kg · art. **GRINTA/105/R** = 12,3 kg