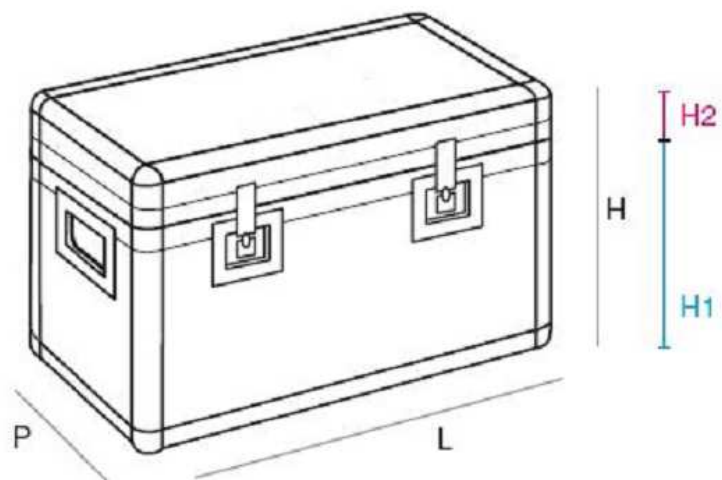


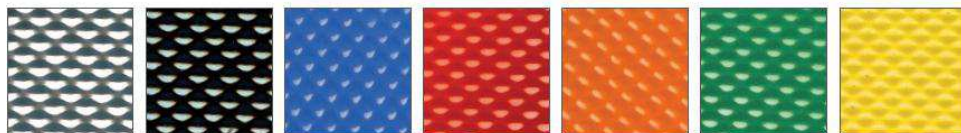
# BAULI IN ALLUMINIO • ART. GRINTA/110/R



	L	P	H	H1	H2
external	1100	600	600	-	-
internal	1070	570	-	510	45

## EMBOSSED ALUMINIUM

### COLORS



### WEIGHT

art. GRINTA/110/R = 22,0 kg