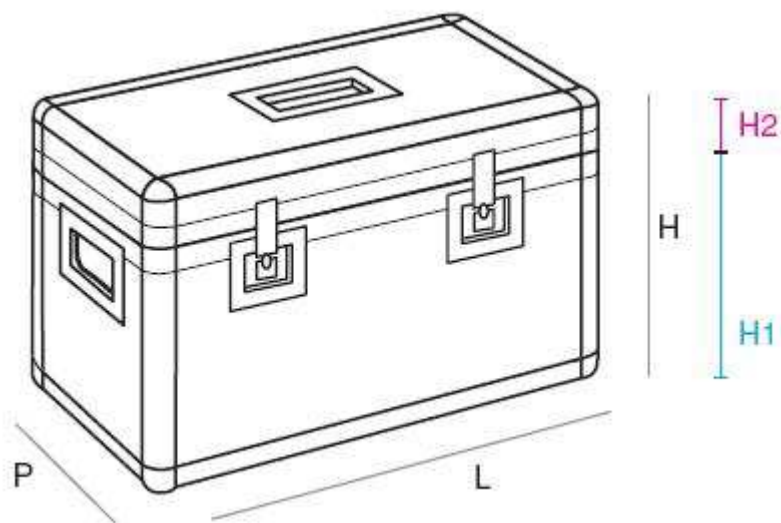


BAULI IN ALLUMINIO · ART. GRINTA/74 – GRINTA/74/TR

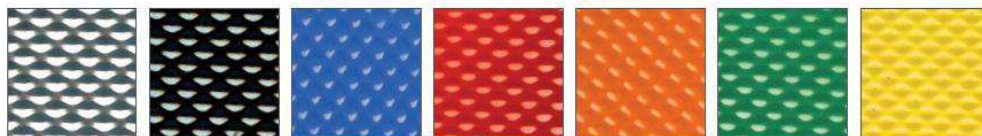


art. GRINTA/74	L	P	H	H1	H2
external	740	360	340	-	-
internal	715	335	-	265	45

art. GRINTA/74/TR	L	P	H	H1	H2
external	740	360	390	-	-
internal	715	335	-	265	45

EMBOSSED ALUMINIUM

COLORS



WEIGHT

art. **GRINTA/74** = 9,0 kg · art. **GRINTA/74/TR** = 12,5 kg