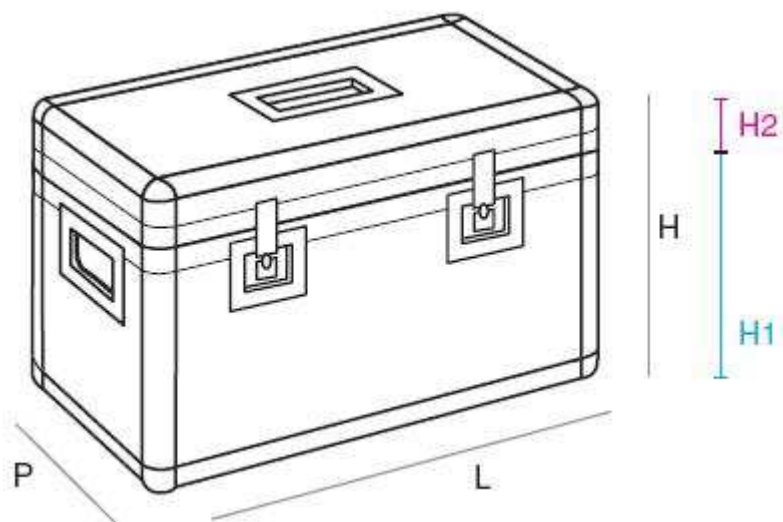


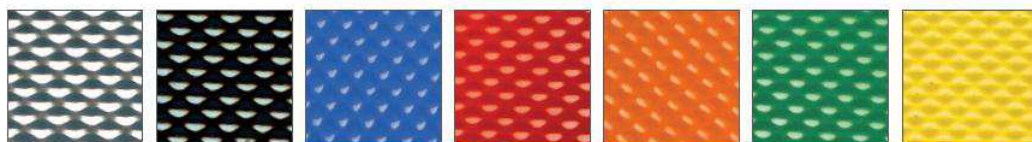
BAULI IN ALLUMINIO • ART. GRINTA/CAR



	L	P	H	H1	H2
external	725	520	580	-	-
internal	700	495	-	495	45

EMBOSSED ALUMINIUM

COLORS



WEIGHT

art. GRINTA/CAR = 19,0 kg