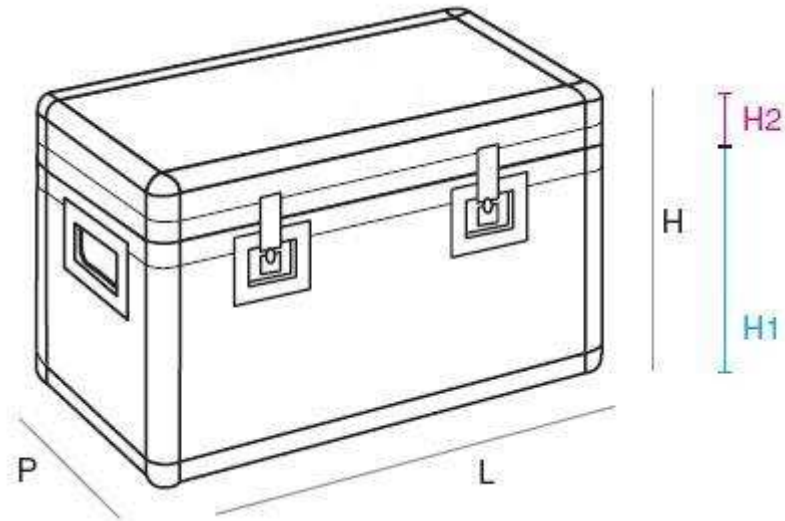


HPL BAULI • ART. 100/HPL/CAR

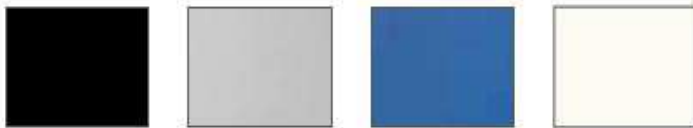
FRAM®



	L	P	H	H1	H2
external	1090	590	600	-	-
internal	1070	570	-	510	70

LAMINATE

COLORS



WEIGHT

art. 100/HPL/CAR = 23,0 kg