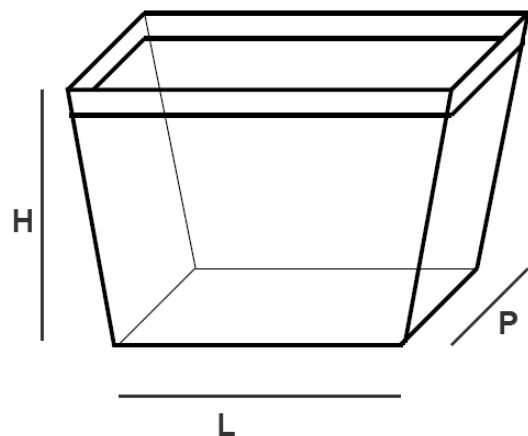


CONTENITORE FIBRA · ART. 3000



	L	P	H
external	320	320	350
internal	300	300	330

VULCANIZED FIBER

COLORS



WEIGHT

art. **3000** = 1,8 kg