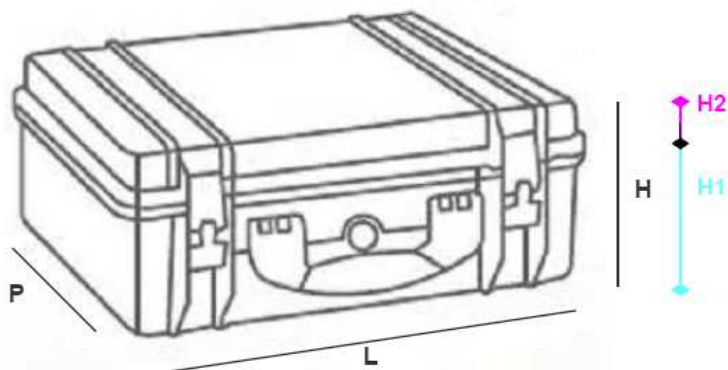


VALIGIE HERMETIC · ART. TX48



	L	P	H	H1	H2
external	480	385	190	-	-
internal	450	320	-	135	40

HIGH PERFORMANCE RESINS

COLORS



WEIGHT

art. TX48/U = 5,0 kg · art. TX48/S = 3,5 kg · art. TX48/V = 3,1 kg