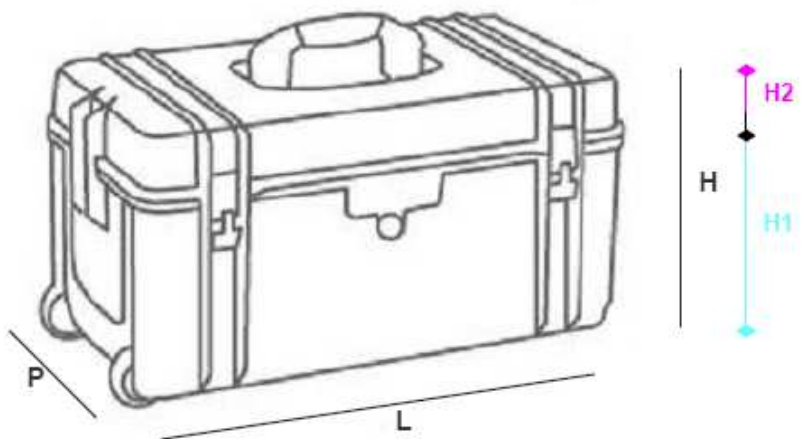


BAULI HERMETIC · ART. TX69/W



	L	P	H	H1	H2
external	690	380	355	-	-
internal	585	320	-	230	70

HIGH PERFORMANCE RESINS

COLORS



WEIGHT

art. TX69/W/U = 9,4 kg · art. TX69/W/S = 7,7 kg · art. TX69/W/V = 7,3 kg