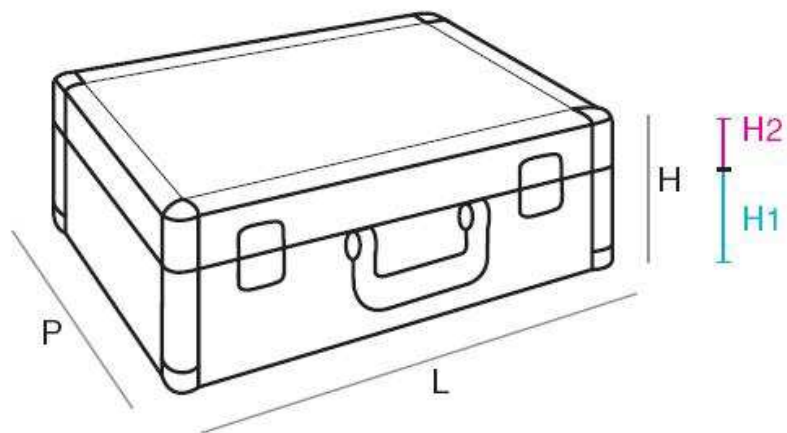


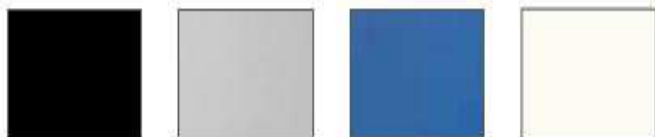
# VALIGIE HPL · ART. 195/HPL



	L	P	H	H1	H2
external	380	260	140	-	-
internal	360	235	-	90	30

## LAMINATE

### COLORS



## WEIGHT

art. 195/HPL = 3,3 kg · art. 195/HPL/D = 2,2 kg · art. 195/HPL/S = 2,2 kg · art. 195/HPL/S1 = 2,2 kg