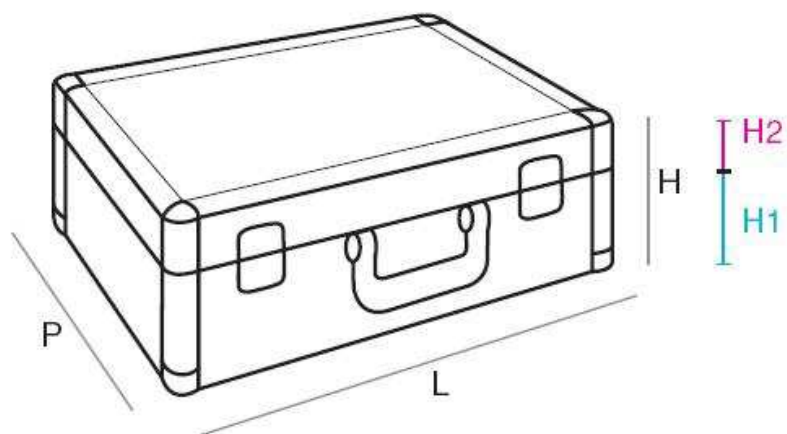


VALIGIE HPL · ART. 198/HPL



	L	P	H	H1	H2
external	440	350	170	-	-
internal	420	325	-	105	45

LAMINATE

COLORS



WEIGHT

art. **198/HPL** = 5,5 kg · art. **198/HPL/D** = 4,0 kg · art. **198/HPL/S** = 4,0 kg · art. **198/HPL/S1** = 4,0 kg

art. **198/HPL/W** = 6,5 kg