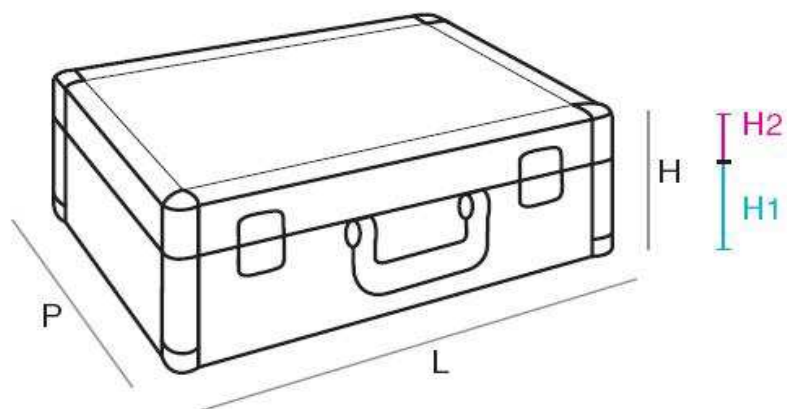


VALIGIE HPL • ART. 3050/HPL



art. 3050/HPL	L	P	H	H1	H2
external	450	290	180	-	-
internal	425	265	-	130	30

LAMINATE

COLORS



WEIGHT

art. 3050/HPL = 3,3 kg