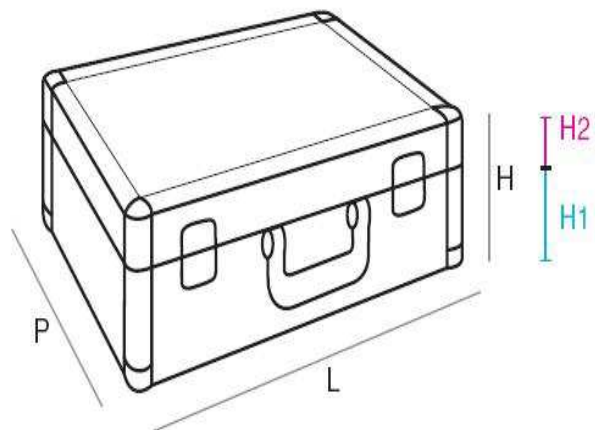


VALIGIE HPL · ART. SWL/330/CD



	L	P	H	H1	H2
external	330	230	160	-	-
internal	310	215	-	110	30

LAMINATE

COLORS



WEIGHT

art. **SWL/330/CD** = 2,5 kg